



ISO9001:2015



WELDED STEEL CHAINS

FOR WOOD INDUSTRY

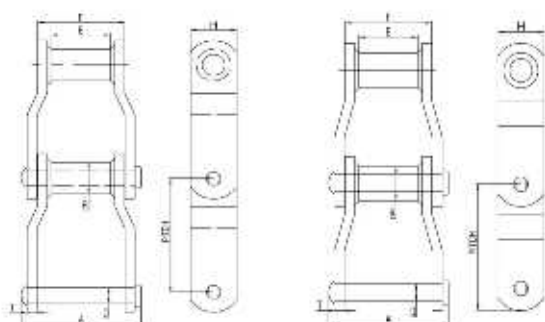
JINQIU CHAIN TRANSMISSION





WELDED STEEL CHAINS FOR FEED & WASHING TABLES

- WR chains have only thru-hardened rivets.
- WH chains have all parts thru-hardened.
- WHX chain have thru-hardened parts and induction hardened rivets as standard.
- Riveted construction is standard. Pin and cottered construction can be furnished on a made-to-order basis.

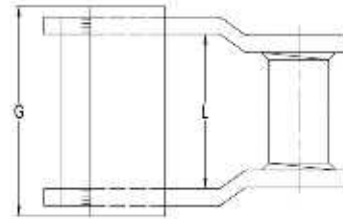
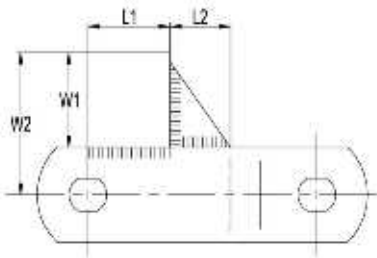


Chain No.	Average Pitch	E(mm)	Sidebar		Pin		Barrel	F(mm)	Min.Ult. Strength (KN)	Avg. Weight chain kg/FT
			T(mm)	H(mm)	D (mm)	A(mm)	R (mm)			
WH78	66.27	25.40	6.40	31.75	12.70	75.00	21.34	61.00	146.80	2.00
WH78XHID	66.95	25.40	9.50	31.75	14.29	82.00	25.40	50.80	163.50	2.80
WH82	78.10	25.58	6.40	31.75	14.29	82.30	25.40	57.15	160.00	2.20
WH82XHID	78.10	26.60	9.70	38.10	19.05	96.50	31.75	60.90	254.00	3.90
WH9103HD	78.11	31.50	9.70	38.10	19.10	92.30	31.80	57.90	287.00	4.00
WH124	101.60	35.10	9.70	38.10	19.05	107.00	31.75	71.40	250.00	3.60
WH124XHD	103.20	35.10	12.70	50.80	25.40	119.50	44.45	76.20	542.00	6.40
WH111	120.90	57.10	9.60	38.10	19.00	123.90	31.70	85.80	254.00	3.64
WH108	152.40	35.10	9.70	38.10	19.05	107.00	31.75	69.65	250.00	3.00
WH720C	152.40	25.58	9.70	38.10	19.05	96.75	31.75	60.32	254.00	2.95
WH110	152.40	47.70	9.60	38.10	19.00	117.30	31.70	76.20	357.00	2.14
WH106XHD	153.67	35.10	12.70	50.80	25.40	120.20	44.45	76.20	542.00	5.80
WH132	153.67	76.20	12.70	50.80	25.40	156.00	44.45	112.30	542.00	6.50
WH132XHD	153.67	76.20	15.88	50.80	25.40	188.86	44.45	118.60	543.00	6.90
WH150	153.67	76.20	12.70	63.50	25.40	156.00	44.50	112.30	620.00	7.40
WH155	153.67	73.20	12.70	63.50	28.40	158.70	41.10	111.20	771.00	7.71
WH157	153.67	75.20	15.90	63.50	29.10	171.00	44.50	117.50	820.00	9.20
WH150XHD	153.67	76.20	15.70	63.50	28.40	171.40	41.10	117.30	920.00	7.98
WH159	155.57	69.85	15.90	76.20	31.75	170.50	50.80	117.50	950.00	11.30



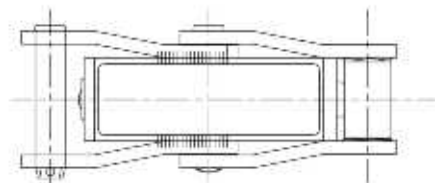
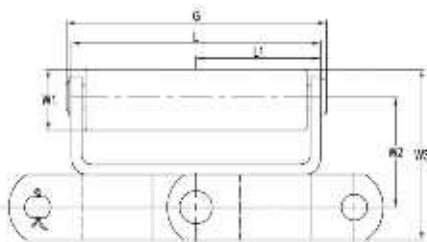
MILL CHAIN ATTACHMENTS

WHX150 Block Attachment



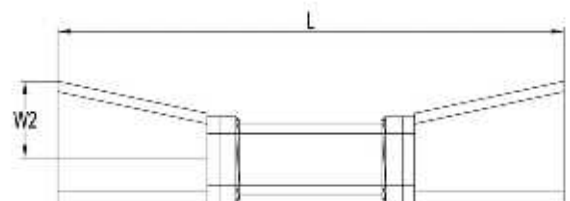
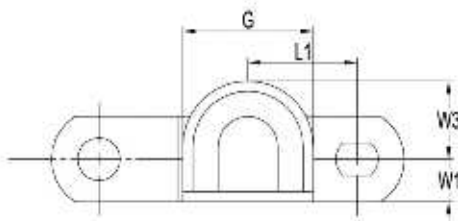
Chain No.	W1	W2	G	L(min)	L1	L2
WHX150	50	120.5	152	116.00	50.00	45.00
WHX150	70	133.5	152	116.00	50.00	45.00

WR78-F20 Attachment



Chain No.	W1	W2	W3	G	L	L1
WR78	32.00	46.60	78.50	121.00	111.00	55.50

WH132 C cradle

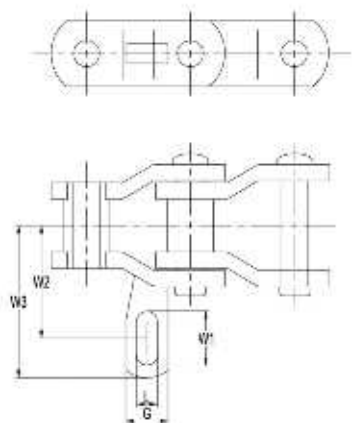


Chain No.	W1	W2	W3	G	L	L1
WH132 C cradle	25.40	50.80	25.40	88.90	279.40	66.55

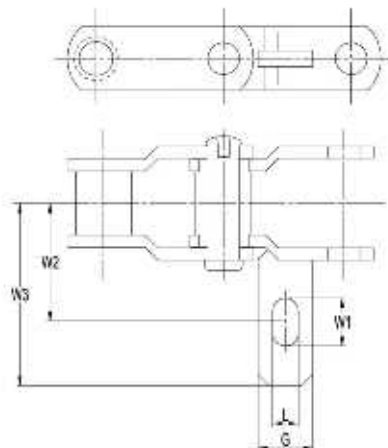


WELDED STEEL MILL CHAINS WITH ATT

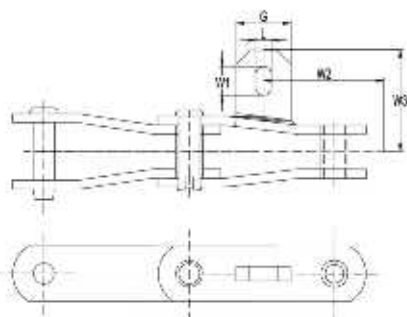
A22 Attachment



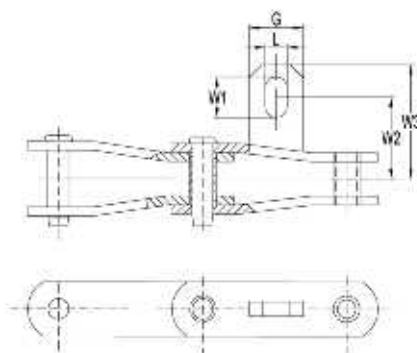
I



R



V

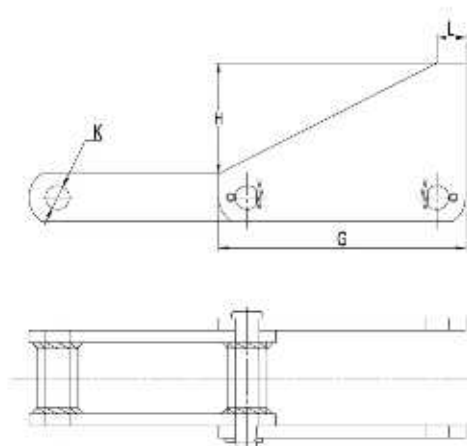


F

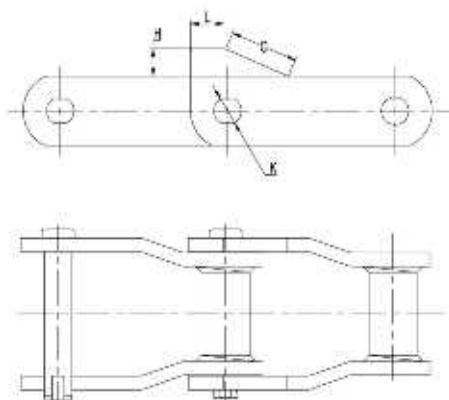
Chain No.	style	W1	W2	W3	L	G
WH144	I	36.10	101.60	152.40	20.62	50.80
WH124XXXHD	R	52.40	109.52	150.52	20.65	50.80
WH166 PLUS	V	26.50	96.25	125.00	20.64	63.50
WH144 PLUS	F	36.10	101.60	152.40	20.62	50.80



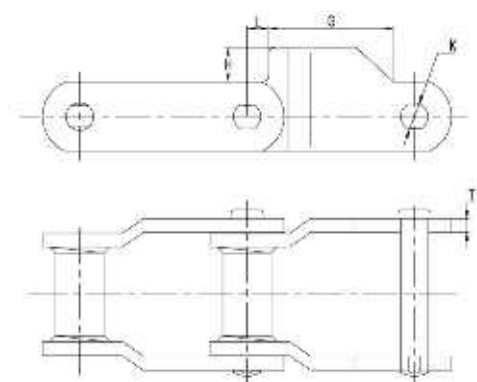
WELDED STEEL MILL CHAINS WITH ATT



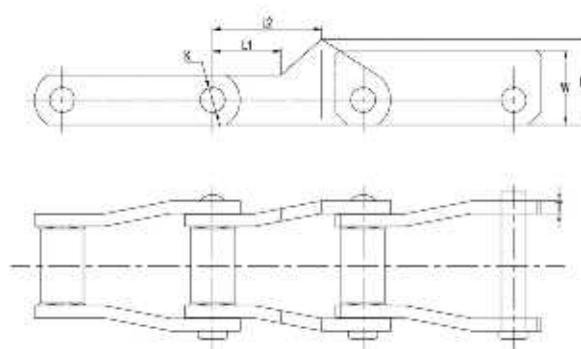
X



Y



Z



S

Chain No.	Style	K	L	G	H
WC110-AS1	X	19.36	23.00	198.40	68.95
WH150-S1	Y	25.40	31.75	63.50	25.40
WH150-S4	Z	25.4	19.05	118.16	39.57

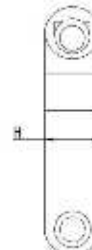
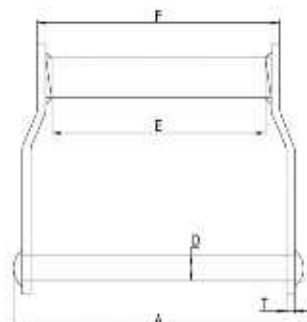
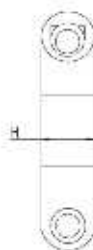
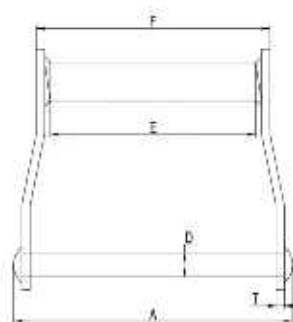
Chain NO.	Style	A				B	
		L1	L2	W	K	H	T
WH132'A&B'	S	69.50	111.13	87.33	25.40	76.20	15.08



WELDED STEEL DRAG CHAINS

WDH SERIES

- WDH Series have all parts thru-hardened.
- Riveted construction is standard. Pin and cottered construction can be furnished on a made-to-order basis.

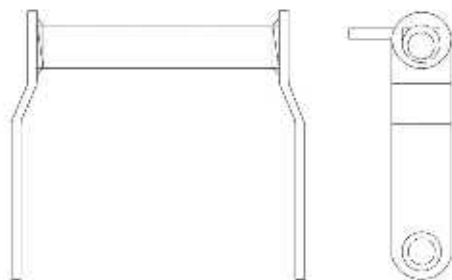


Chain No.	Average Pitch	E(mm)	Sidebar		Pin		F(mm)	Min.Ult. Strength (KN)
			T(mm)	H(mm)	D(mm)	A(mm)		
WDH102	127.0	162.00	9.70	38.10	19.05	232.50	197.00	226.7
WDH104	152.4	104.76	9.70	38.10	19.05	173.30	136.53	226.7
WDH110	152.4	228.60	9.70	38.10	19.05	296.00	260.50	235.0
WDH113	152.4	228.60	12.70	38.10	22.23	311.50	270.20	297.8
WDH120	152.4	222.25	12.70	50.80	22.23	301.60	260.35	311.5
WDH112	203.2	228.60	9.70	38.10	19.05	296.00	260.50	250.0
WDH116	203.2	330.20	9.53	44.45	19.05	395.00	358.78	250.0
WDH118	203.2	336.55	12.70	50.80	22.35	425.45	377.90	400.5
WDH480	203.2	279.40	12.70	50.80	22.23	366.90	323.85	311.5
WDH480XHD	203.2	279.40	15.88	50.80	25.40	380.85	330.20	543.0

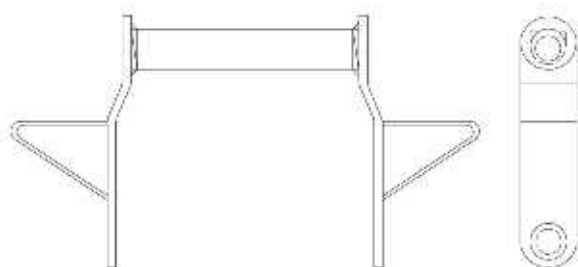


WELDED STEEL DRAG CHAINS*

C1 and W1 Attachment



C1 Attachment



W1 Attachment



Chain No.	Average Pitch	E(mm)	Sidebar		Pin		F(mm)	Min.Ult. Strength (KN)
			T(mm)	H(mm)	D(mm)	A(mm)		
WDH102	127.0	162.00	9.70	38.10	19.05	232.50	197.00	226.7
WDH104	152.4	104.76	9.70	38.10	19.05	173.30	136.53	226.7
WDH110	152.4	228.60	9.70	38.10	19.05	296.00	260.50	236.0
WDH113	152.4	228.60	12.70	38.10	22.23	311.50	270.20	297.8
WDH120	152.4	222.25	12.70	50.80	22.23	301.60	260.35	311.5
WDH112	203.2	228.60	9.70	38.10	19.05	296.00	260.50	250.0
WDH116	203.2	330.20	9.53	44.45	19.05	395.00	358.76	250.0
WDH118	203.2	336.65	12.70	50.80	22.35	425.45	377.90	400.5
WDH460	203.2	279.40	12.70	50.80	22.23	366.90	323.65	311.5
WDH480XHD	203.2	279.40	15.88	50.80	25.40	380.85	330.20	543.0

We are able to custom manufacture attachments per your specific request.

JIANGSU JINQIU CHAIN TRANSMISSION CO., LTD
www.jqchain.com



ISO9001:2015

Add: No.88 North HuangDong Rd. Huangli Town, Changzhou, Jiangsu, China.

C : +86 519 83348588 F : +86 519 83341062

[Http:// www.jqchain.com](http://www.jqchain.com)

Email: sales@jqchains.com